

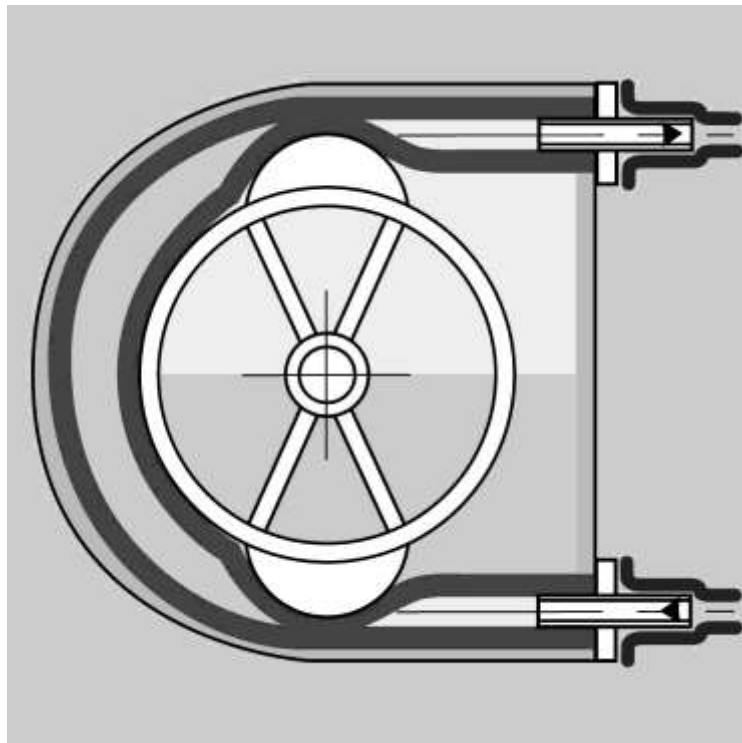


Ponndorf



**Hose Pump
Type**

***P_high pressure 15 /
PHP15-S***



Operation Manual

Content

2. General	3
2.1 Service address	3
2.2 General information	3
2.3 Labelling	4
2.4 Guarantee.....	5
2.5 Technical data	5
2.6 Adjustment of pressure	6
3. Safety	7
3.1 Marking of details in the operation manual	7
3.2 Safety instructions for hose pumps in hazardous locations	8
3.3 Intended use	8
3.4 Qualification and training of personnel.....	9
3.5 Dangers in case of non-observance of the safety instructions.....	9
3.6 Safety-conscious working	10
3.7 Safety instructions for the operator/user	10
3.8 Safety instructions for maintenance / inspection / assembly	10
3.9 Unauthorized modifications or use of unoriginal parts	11
3.10 Unauthorized operating methods	11
4. Transport, storage and disposal	12
4.1 Transport	12
4.2 Storage	12
4.3 Disposal.....	13
5. Description of pump and accessories	14
5.1 Detector for hose leakages	15
5.2 Diagram of the leakage detector - Part no. 93-000-009.....	16
6. Installation / Connection / Operation	17
6.1 Installation of pumps in hazardous locations	17
6.2 Electrical connection	18
6.3 Mechanical connection	18
6.4 Installing / changing the pump hose	20
6.5 Installing / changing the pump hose (work steps).....	21

7. Maintenance / Service	25
7.1 Changing the pump hose.....	25
7.2 Maintenance	25
7.3 Cleaning.....	26
7.4 List of spare parts	26
7.5 Drawings of spare parts	27
7.5.1 Pump with coupled drive	27
7.5.2 Pump with directly flanged drive (without coupling).....	28
8. Characteristic curve	29
9. Accompanying documents	29

2. General

2.1 Service address

PONNDORF GERÄTETECHNIK GmbH
Leipziger Strasse 374
D - 34123 Kassel
Tel. +49 561 51139 - 0
Fax: +49 561 51139 - 88
E-Mail: service@ponndorf.de

2.2 General information

Ponndorf Hose Pumps are a self-priming positive displacement pumps without any glands or valves. The pumping medium only comes in contact the inner surface of the pump hose, but not with the moving parts of the pump. Therefore the pumps are particularly suitable for pumping aggressive, abrasive and viscous liquids, but as well for pumping liquids containing coarse-grained solids and sensitive materials which require to be pumped gently.



Priming and pumping of combustible gases or fumes is prohibited. Start up and close down operations which require this should only be rarely and kept as short as possible. A dry run of the pump has to be avoided generally (operation without pumping media).



The operator must ensure that the relevant safety regulations (e.g. TRGS 727) for the pumped medium are observed to avoid dangerous electrostatic charging. Among other things, please consider flow velocities, etc.



Hose pumps are only intended to pump free-flowing liquids but not to pump gaseous pumping media.



The functioning of a hose pump can lead to abrasion on the pump hose. For applications in which the possible abrasion is intermittent or not permissible, appropriate filter technology must be provided by the customer.



To guarantee the tightness and chemical compatibility of the pump hoses, the manufacturer of the hose pump must be consulted in case of possible changes of the pumping media unless this information does not appear from available documents.



To avoid blockages of the pumps and/or any other damages of pumps or pump hoses, the operator must guarantee that no hose damaging objects can invade the hoses (e.g. sharp-edged or too big and not pumpable objects). A suitable strainer may be used as protection.

2.3 Labelling



1. Pump Type ¹⁾
2. Maximum Pressure
3. Pump Number and Year of Manufacture
4. ATEX Coding (optional)
5. Ambient Temperature Limit in EX-Zone (optional)
6. Customer Number – Order Number Ponndorf

¹⁾ Explanations of pump type: PHP15-S corresponds to P_highpressure 15

The data specified on the name plate refer to the delivery status of the Ponndorf Hose Pump. Any modification of the pump can result in a change of the specified data and the request of a new name plate for the Ponndorf Hose Pump could be necessary.

When requesting spares, the model and serial number should always be quoted.

2.4 Guarantee

The guarantee for defects of any goods delivered by us is stated in our Terms and Conditions of Sale.

We do not assume any liability for defects and damages which are caused by non-observance of the instructions of the operation manual.

Furthermore we assume no liability for defects or damages which are caused by changing the operating conditions (use not in accordance with the intended use), e.g. use of a different pumping medium for which the pump hose is not suitable for, higher temperature which exceed the maximum permissible or line losses caused by media with a too high viscosity.

2.5 Technical data

		P_high pressure 15 / PHP15-S
Max. flow rate:	[l/h H ₂ O]	approx. 700
Max. pressure (p _{max}):	[bar]	7 ¹⁾
Max. suction height:	[m H ₂ O]	8
Max. viscosity of pumping media:	[mPas]	35.000
Motor power (depending on pressure and speed):	[kW]	0,37 - 0,55
Max. speed:	[n/min]	100
Weight: pump head only (XXX) with gear motor (GMC) with variable speed drive (BDC)	[kg]	approx. 28 ²⁾ approx. 48 ²⁾ approx. 55 ²⁾
Hose material:		Natural rubber, EPDM, Perbunan (NBR), according to 21 CFR of FDA

¹⁾ Exception: with pump hose material Perbunan (NBR): limited to p_{max} = 5 bar at max. 40 ¹/min

²⁾ Weights refers to basic versions of the pumps with coupling drive and max. driving power. Differences of weights (i.e. because of special models) are not considered.

2.6 Adjustment of pressure

Ponndorf hose pumps provide the opportunity to change the gap width between the shoes and the inner surface of the pump housing. At applications with lower required discharge pressures we recommend to enlarge the gap width in order to achieve a longer hose-lifetime. On the other hand at high discharge pressures the gap width has to be reduced, i.e. the contact pressure on the hose has to be increased.

The adjustment of the gap width is being effected by the shims included in delivery. The shims between the rotor and the shoes have to be assembled or disassembled, always depending on the required discharge pressure. In the following table you will find the recommendations for the necessary quantity of shims to be installed, depending on the discharge pressure.

For assembly and disassembly of the shims the lubricant bath and the casing cover have to be removed. Each shim is fixed to the rotor by one screw. This screw must be loosened just a little bit to enable assembling or disassembling of the shims.

Pump type	Pressure	Gap width in mm	Shims per shoe
P_high pressure 15 / PHP15-S	0-2 bar	20	2 pieces at 0,5 mm
	up to 4 bar	19	4 pieces at 0,5 mm
	up to 7 bar	18,5	5 pieces at 0,5 mm

Note: The above-mentioned quantities of shims per shoe are guideline values. Depending on varying application conditions (pipework, varying properties of the medium to be pumped etc.) it may be necessary to use one shim more or less at each shoe!

Following pressure limits must be considered for the different hose materials:

Hose material	max. pressure
Natural rubber - NR	7 bar
EPDM	7 bar
Perbunan – NBR	5 bar

In case of change of the used hose material a corresponding adjustment of pressure must be made (see above).



The casing cover may only be removed when the drive is switched off and the power supply is interrupted (remove fuses).

3. Safety

These instructions contain basic recommendations that should be followed during installation, operation and maintenance. Therefore the operation manual has to be read by the fitter and qualified personnel/operator before installation and operation and must always be available at the location of the machine/facility.

Not only the general instructions of safety mentioned in chapter - Safety - have to be observed. The more specific safety instructions mentioned in other chapters must be observed, too.

3.1 Marking of details in the operation manual

Non-observance of the safety instructions of this operation manual can endanger people. Those instructions are particularly marked with the following general danger signs:



Safety sign according to DIN 4844 - W 9



Safety sign according to DIN 4844 - W 8
when warning of electrical hazards



Product-specific properties for explosion protection according to 2014/34 / EU are marked with the label in the operating instructions, e.g. the intended use, temperatures.



The symbol is used in the operating instructions to mark safety-related information relating to Directive 1999/92 / EC (ATEX operating directive) that must be observed when operating the pumps, e.g. maintenance information.

CAUTION

In case of safety instructions which can cause dangers for the machine or its performance the term **CAUTION** is interpolated.

Signs directly fixed to the machine, e.g.

- arrows which indicate the flow rotation
- signs for fluid connections

have to be observed and must be kept in a readable condition.

3.2 Safety instructions for hose pumps in hazardous locations



- Explosive gas mixture or dust concentration can cause serious or even fatal injuries in conjunction with hot, voltaged, pressurized and moved parts of the pump
- Only qualified technical personnel is authorized to effect installation, connection, operation as well as maintenance and repair works in consideration of
 - provided instructions
 - danger signs and/or decal information
 - every other provided instructions for the user
 - the system-dependent regulations and requirements
 - the currently valid regulations concerning explosion protection and safety as well as rules for accident prevention
- **The pump in connection with the mobile base plate only fulfils the ATEX directive (EC Directive 2014/34/EC) in a stationary condition.**

In case of moving the pump the operator has to make sure that no explosive environment exists!

3.3 Intended use



- Ponndorf Hose Pumps are intended for use in commercial facilities and are only permitted for use in accordance to the information of the technical documentation and of the nameplate. They comply to the currently valid standards and regulations and meet the requirements of the European directive 2014/34/EC.
- If a pump is coupled to a drive unit, the operating manual of the drive and other provided components must be observed, too.

Before placing the pump into operation the operator must make sure that



- the pump and all other components were not damaged during the carriage.
- the information on the nameplate concerning equipment group and category, zone, temperature class and explosion group accords with the permissible use in the particular hazardous location.
- the air temperature of the ambience of the pump is observed.
- the maximum temperature of the pumping media is not exceeded.
 - +60°C continuous operation
 - +80°C short-time operation (operating time max. 1 h)
- pump hose, clamping rings and connecting sockets are mounted properly and the internal space of the pump casing is filled sufficiently with Ponndorf Special Lubricant Bath Grease (as described in chapter 6.4).

In case of any discrepancies the pump must not be placed into operation!

While placing the pump into operation the characteristics (pump speed, pressure) which are prescribed in the manual and on the nameplate must not be exceeded.

CAUTION

The execution of pump supplied must be compared with section 2.5 "Technical data" with regard to the above operating limits

3.4 Qualification and training of personnel

The technical personnel responsible for operation, maintenance, inspection and installation must be qualified for this work. Fields of responsibility, competencies and the supervision of the personnel have to be exactly regulated by the operator. If the personnel is inadequately skilled it must be trained and instructed. If necessary, this may be effected by order of the operator by the manufacturer/supplier.

Furthermore the operator has to make sure that the personnel did absolutely catch the contents of the operation manual.

3.5 Dangers in case of non-observance of the safety instructions

Non-observance of the safety instructions can endanger people, environment and equipment and can result in losing any claim for damages.

In detail non-observance can **for instance** result in the following dangers:

- failure of important functions of the machine/facility
- failure of methods prescribed for maintenance
- threat to people because of electrical, mechanical and chemical effects
- danger to the environment because of leakage of hazardous substances

3.6 Safety-conscious working

The safety instructions of this manual, the existing national rules for accident prevention as well as potential instructions of the operator for work, operation and safety have to be observed.

3.7 Safety instructions for the operator/user

- If hot or cold machine parts cause dangers, the operator is responsible for a protection against contact.
- The protection against contact of moving parts of machines in operation (e.g. coupling) must not be removed.
- Leakages of hazardous pumping media (e.g. explosive, toxic, hot) have to be discharged in a way which guarantees that no dangers to people and environment arise. Legal regulations have to be observed.
- Dangers caused by electrical power have to be eliminated.
(Please see also regulations e.g. of the VDE (in Germany) or of the local power supply companies.)



3.8 Safety instructions for maintenance / inspection / assembly

The operator has to make sure that all maintenance, inspection and installation works will be effected by authorized and qualified technical personnel, which is familiar with the contents of the operating manual.

Basically all works may only effected during shutdown periods. The proceeding to shutdown the machine described in the operating manual must be strictly observed.

Pumps or aggregates which convey harmful media have to be cleaned.

When works are finished all safety installations and protectors must immediately be refitted or be put into operation.

The articles of chapter 6 (Installation / Connection / Operation) have to be observed before reconnection.

3.9 Unauthorized modifications or use of unoriginal parts

Modifications of the machine are only permissible after prior consultation of the manufacturer. Original spare parts and accessories authorized by the manufacturer serve the safety. Use of other parts can repeal the liability for any consequences.

3.10 Unauthorized operating methods

The reliability of the supplied machine is only guaranteed in case of intended use in accordance to chapter 2 - General - of the operating manual.

The limit values stated in the data sheet must not be exceeded in any way.

4. Transport, storage and disposal

4.1 Transport

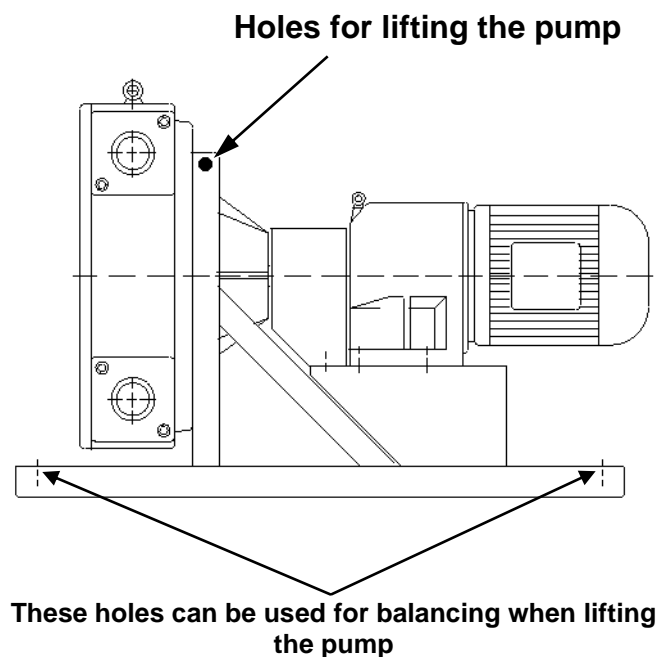


- When choosing lifting tools and separate lifting accessories the weight of the pump must be taken into consideration. The corresponding accident prevention regulations have to be observed.

(In Germany: UVV "Lastaufnahmeeinrichtungen im Hebezeugbetrieb", BG 9a)



- When lifting the complete pump aggregate (pump head with mounted drive and base plate) the corresponding lifting tool must only be fixed at the holes for lifting the pumps at the base plate! The ring bolts on pump head and drive must only be used for lifting the separate components while installation and disassembling.



4.2 Storage

The pump has to be protected against humidity when stored.

CAUTION

In case of longer standstill before placing the pump into operation do not assemble the pump hose, during longer shutdown periods remove the hose from the pump. Otherwise the hose could be warped by the constant compression of the shoes!

4.3 Disposal



With prolonged use, pump parts can get contaminated by poisonous or radioactive pumped liquids to such an extent that cleaning may be insufficient.

CAUTION

Risk of poisoning and environmental damage by the pumped liquid!

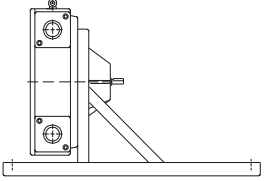
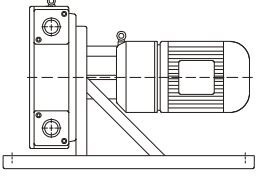
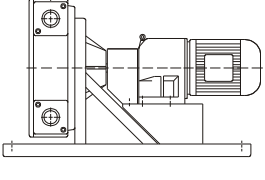
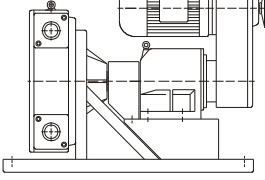
- Use suitable personal protective equipment when carrying out any work on the pump.
- Prior to disposal of the pump:
 - Remove and dispose grease in accordance with local regulations.
 - Dispose any leaking pumped liquid in accordance with local regulations.
 - Neutralize residues of pumped liquid in the pump.
- Dispose of the pump unit and associated parts in accordance with statutory regulations.

5. Description of pump and accessories

Depending on the construction of the pump the pump head is connected with the drive by a coupling, or pump head and drive are flange connected.

Pump head and drive are completely mounted on a base plate.

Construction "XXX" means that the pump head is supplied with bare shaft extension.

	Construction	Description
	<p>- XXX</p>	<p>- pump head with bare shaft extension, without drive</p>
Pump with flanged drive (without coupling)		
	<p>- GMF - GMF-TF - GMF-FF - GMF-I1/I3 - GMF-V1/V3</p>	<p>- pump with gear motor - pump with gear motor incl. 3 thermistors for frequency converter use - pump with gear motor incl. 3 thermistors and forced fan - pump with gear motor with integr. frequency converter - pump with gear motor, forced fan and integr. frequency converter</p>
Pump with coupled drive		
	<p>- GMC - GMC-TF - GMC-FF - GMC-I1/I3 - GMC-V1/V3</p>	<p>- pump with gear motor - pump with gear motor incl. 3 thermistors for frequency converter use - pump with gear motor incl. 3 thermistors and forced fan - pump with gear motor with integr. frequency converter - pump with gear motor, forced fan and integr. frequency converter</p>
	<p>- BDC</p>	<p>- pump with variable speed drive</p>

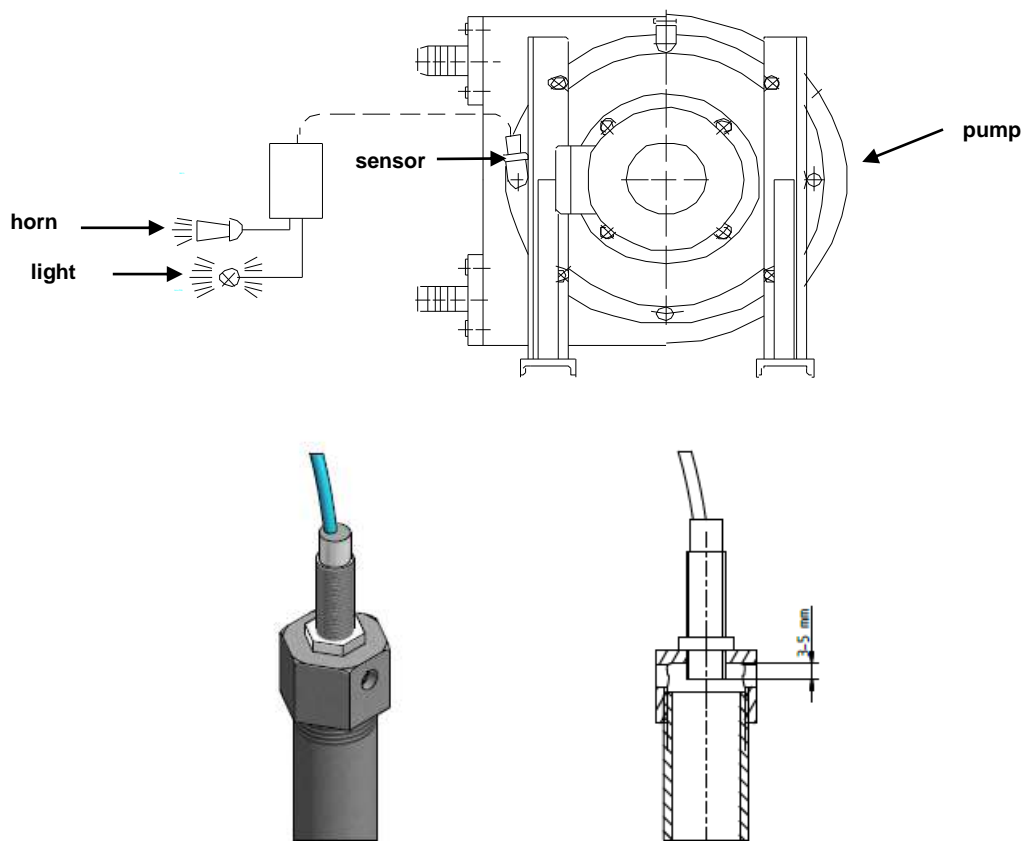
	P_high pressure 15 / PHP15-S
Material of pump casing:	Aluminium alloy
Material of base plate:	Steel (standard)
Paint of the complete pump:	RAL 5003 (standard)

5.1 Detector for hose leakages

The hose leakage detector is for a continuous monitoring in order to avoid unnoticed hose leakages.

Functional description

In case of a hose leakage the pump can be switched off and an alarm (horn/signal lamp) can be activated. This is only possible when using a motor contactor.



The sensor of the leakage detector must be screwed in non-flush into the thread of the screw cap and should extend approx. 3 - 5 mm into the cap.

When the sensor extends more than 5 mm into the cap it may occur that the detector alerts even without any hose leakage.



**This sensor is prohibited for use in hazardous locations.
For such operating conditions a special leakage detector is available.**

CAUTION

If a sensor other than that described in Chapter 5.2 is used, the operator is responsible for checking its suitability.

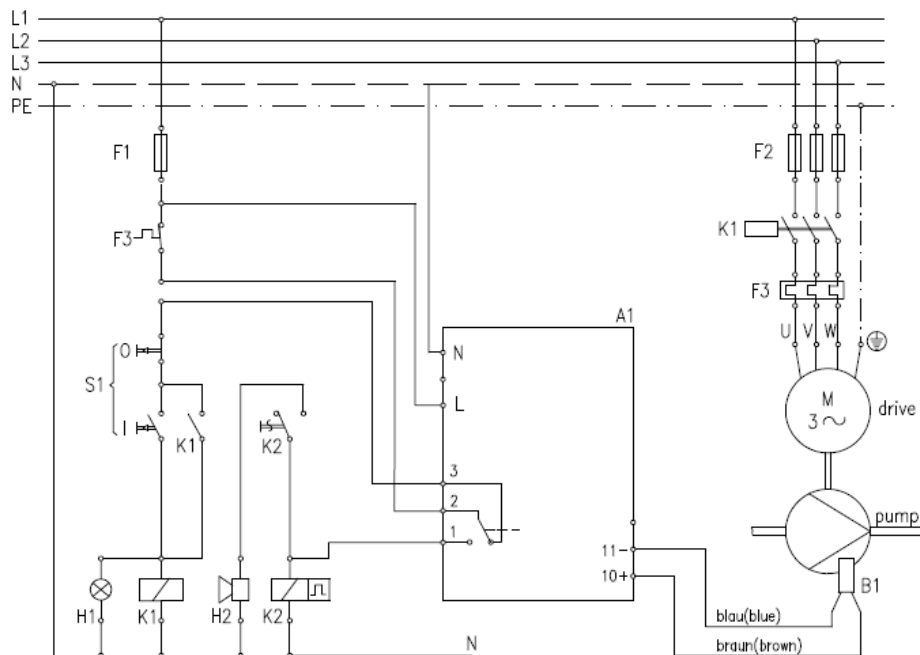
5.2 Diagram of the leakage detector - Part no. 93-000-009

The following diagram is only valid for the leakage detector consisting of:

- capacitive proximity switch (make: Rechner)
- switch amplifier (make: Rechner)

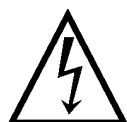


The switch amplifier must not be used in hazardous locations. It has to be strictly installed outside of these areas.



- A1 – switch amplifier „EX“
B1 – capacitive sensor „EX“
F1 – control fuse
F2 – motor fuse
F3 – motor protection relays
H1 – control lamp-operation

- H2 – signal horn, signal lamp
K1 – motor contactor
K2 – flasher relays 0,5 sec.
M – motor – pump drive
S 1 – double push button



The connections must only be made by qualified and authorized personnel!

6. Installation / Connection / Operation

Installation

The installation of the pump depends on the pump type and can be made stationary or movable (on wheels).

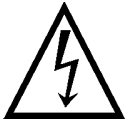
6.1 Installation of pumps in hazardous locations



- When pumps have to be installed in hazardous locations the instructions in chapter 3.2 must be strictly observed.
- Ponndorf Hose Pumps of series P_high pressure for hazardous location use (optional!) meet the construction requirements of equipment group II, category 2G. They are intended for use in zone 1.
- Hose pumps for hazardous location use in construction “0” (see chapter 5 - Description of pump and accessories -)¹⁾
 - are in accordance with temperature class T4.
 - are intended for use at an ambient temperature between +2°C and +40°C (permissible temperature of place of installation).
 - are suitable for pumping media with a maximum temperature of:
 - +60°C in continuous operation
 - +80°C in short-time operation (operating time max. 1 h)
 - fulfill the requirements for non-electrical devices of the type of protection c - protection through safe construction (marking with Ex h for non-electrical explosion protection) - according to EN 80079-36 and EN 80079-37.
 - are allowed for the explosion group IIB.

¹⁾ **The explosion protection for complete aggregates can diverge!** The details of the enclosed declaration of conformity are relevant!

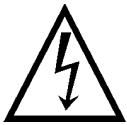
6.2 Electrical connection



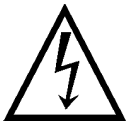
The connections must only be made by qualified and authorized personnel!

The connections must be made according to the wiring diagram in the terminal box.

For instructions to effect the electrical connection please see the attached manual of the pump drive!



The pump must be protected by fuses and a protective motor switch according to the nominal current of the motor.



The pumps must be integrated in the equipotential bonding of the whole plant. For example this can be made by grounding the base frame by using the grounding terminal in the terminal box of the motor.

6.3 Mechanical connection

The nominal width of the tubing at the suction and the discharge side should be approx. 25 % bigger than the nominal width of the pump hose.

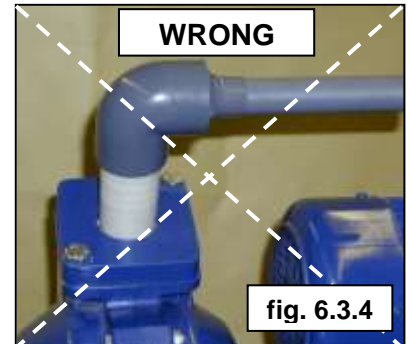
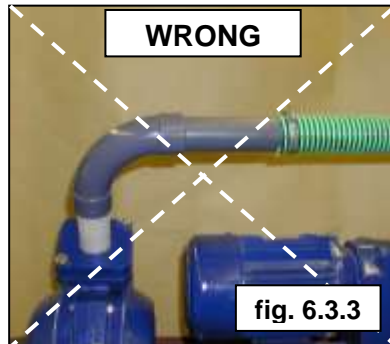
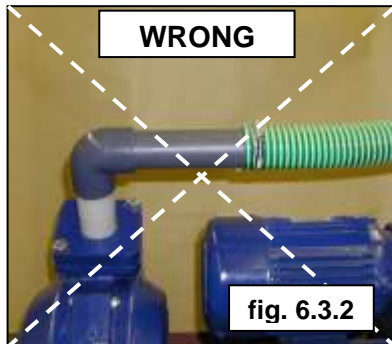
The size of the hose pump is concurrent to the width of the pump hose.

The tubing on the suction side must be vacuum proof (reinforced) and the tubing on the discharge side must withstand the maximum pressure of the pump. By using a pole changing switch the tubing on suction and discharge side must withstand the maximum pressure of the pump.

Always use flexible tubing to connect the pump with the pipework of your application. The length of the tubing should be at least 1 m (see fig. 6.3.1).



The standard way of connection is flexible tubing (fitting the connecting sockets of the pump), fixed with hose band clamps. Other options (e.g. threaded connections, Kamlok couplings, standard flanges) are available on request.



In order to avoid pressure peaks, which can cause damages of the pump hose, there should no pipe bends or 90° elbows be installed directly after the pump on the discharge side (please see fig. 6.3.2 and 6.3.3).

Furthermore the cross section of the pipework on the discharge side should not be reduced (please see fig. 6.3.4).



Hose pumps are positive displacement pumps which must not convey against closed fittings (e.g. valves). In case of exceeding the maximum permissible pressure, the pumps or other parts of the facility can be damaged. Therefore a protection against pressure exceedance must be integrated in the pipework on the discharge side (e.g. an overflow valve or a burst disk).



When using overflow valves or burst disks it must be observed that the overpressure always will be discharged in a safe direction. I.e., neither people nor tangible assets may be endangered because of emissions of the pumping medium.



If flammable liquids or gases may leak, the affected area of emission must be free of ignition sources!

6.4 Installing / changing the pump hose

The assembly of the pump hose is described on the pages 20 - 23.
This description is material to following cases:

Case	Situation	Necessary working steps
Delivery of a new hose pump	Pump hose is not built in yet (standard!) and has to be installed	Chapter 6.5, Steps 6) to 13)
Pump must be put out of operation over a longer period (> 5 days)	Pump hose must be dismantled	Chapter 6.5, Steps 1) to 4)
Pump should be reactivated after a longer period	Pump hose must be installed	Chapter 6.5, Steps 6) to 13)
Hose damage / leakage	Pump hose must be dismantled and must be replaced by a new hose	Chapter 6.5, Steps 1) to 13)

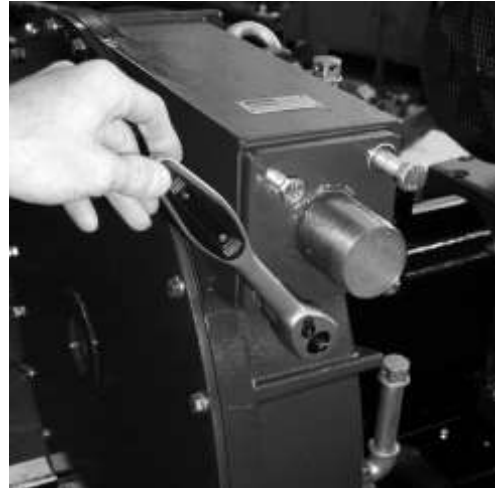


Remove power from the pump by removing the main fuses before doing any maintenance operations!

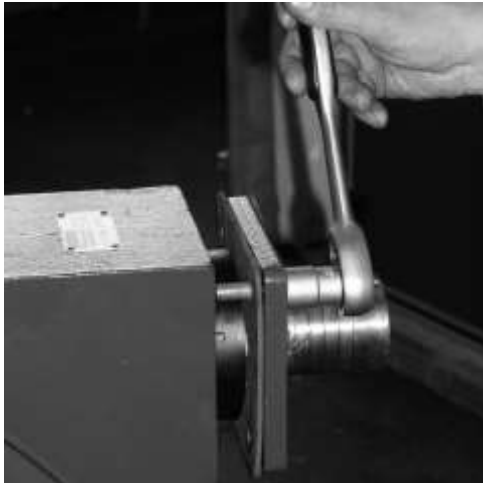
6.5 Installing / changing the pump hose (work steps)



- 1)
Unscrew drain plug to remove the
lubricant bath and collect the liquid.



- 2)
Unscrew counter flanges on suction
and discharge side.

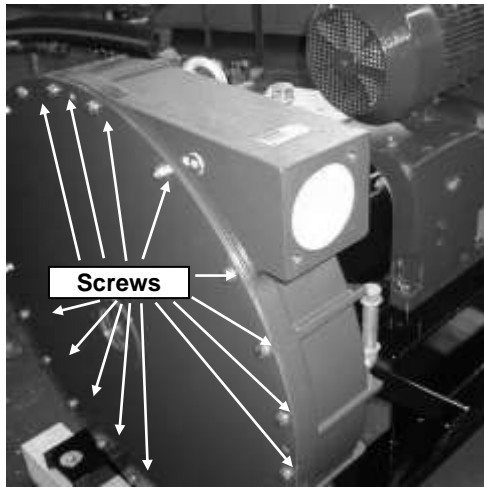


- 3)
For installed pump hose if
necessary use lifting screws.



- 4)
Switch on the drive to remove the
hose.
The rotating pump pushes out the
pump hose.
CAUTION: Do not put your hands
into the pump casing!

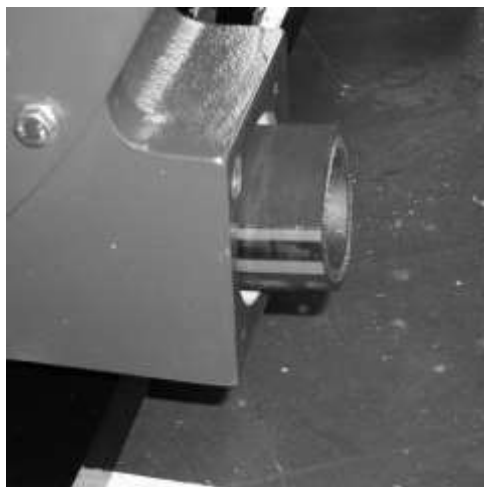
CAUTION: SWITCH ON THE DRIVE ONLY WHEN THE CASING COVER IS MOUNTED!



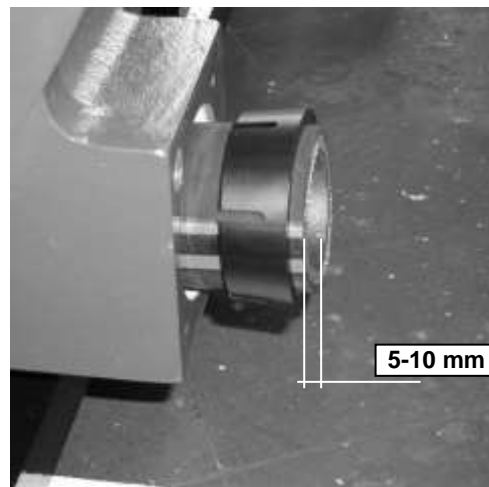
5)
SWITCH OFF THE DRIVE!
Unscrew and remove the casing cover and clean the casing inside. Mount cover again. Locking torque casing screws: 8 Nm



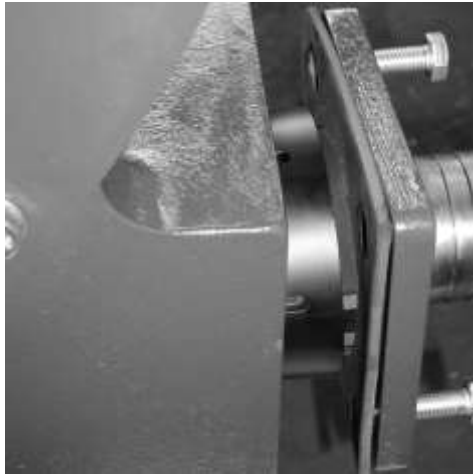
6)
Lubricate the hose. Switch on the drive and insert the hose into the opening of the casing.



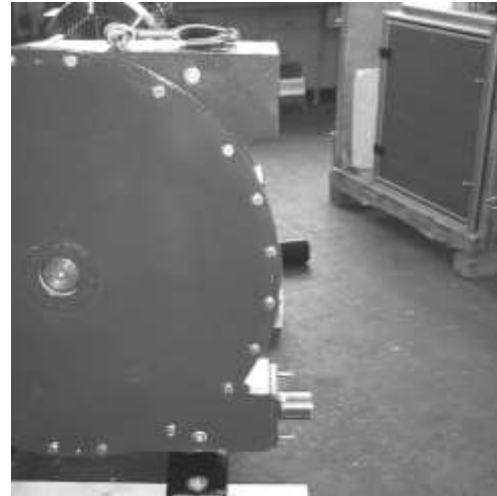
7)
The rotating pump pulls in the pump hose. When the hose appears approx. 30 mm on the other side of the casing switch the drive off again.



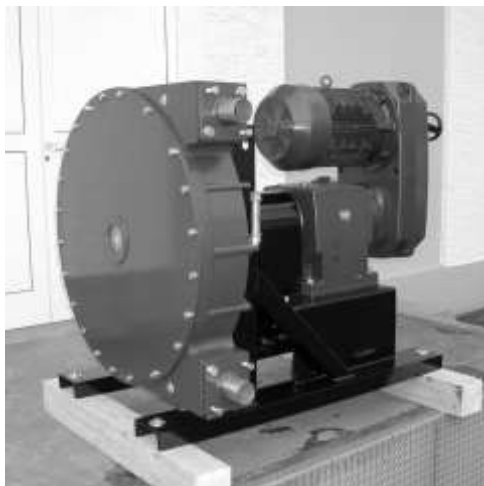
8)
Put the clamping ring onto the hose as shown above. Approx. 5 - 10 mm of the hose should stick out of the ring.



- 9)
Put the counter flange into the hose and tighten it with screws at the casing.
Take care that the connecting socket is inserted in the hose up to the flange.



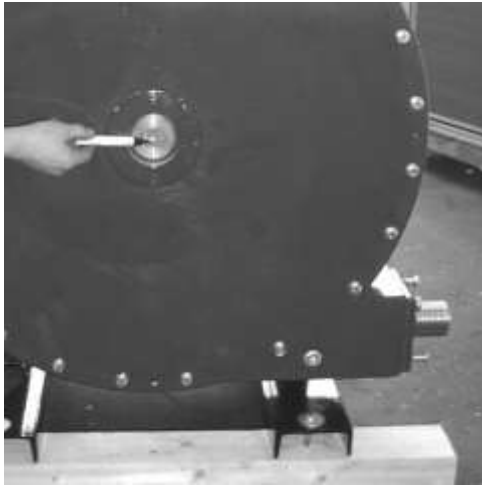
- 10)
Switch on the drive until the hose also appears approx. 30 mm on the other side of the casing.
Switch the drive off again and mount the counter flange as described on the pictures 8 + 9.



- 11)
Pump with mounted counter flanges.



- 12)
Fill in the Ponndorf Special Lubricant Bath into the pump casing.



- 13)
The casing must be filled up with lubricant bath to the lower edge of inspection glass at least, superior to the half.

Pump is now ready for operation !



It must be secured that there are no remains of the pumping medium left in the pump hose (medium could run out or spray). Especially in case of aggressive and caustic media there is danger of injuries !



The casing cover may only be removed when the drive is switched off and the power supply is interrupted (remove fuses).

CAUTION

Before starting the pump it must be secured that any valves assembled in the pipework (on suction and discharge side) are opened. Otherwise the pump or parts of the pipework could be damaged by too high increase of pressure.

CAUTION

If the pump is equipped with a hose leakage detector it must be secured that the sensor is unpoluted because deposits on the sensor could cause malfunctions of the detector.

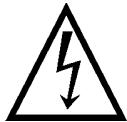
7. Maintenance / Service

There are no sophisticated procedures of maintenance necessary for Ponndorf Hose Pumps.

Nevertheless there have to be made regular inspections in order to avoid any decrease of capabilities of the pump (e.g. suction capacity / discharge head / flow rate).

7.1 Changing the pump hose

When changing the pump hose please consider chapter 6.4 (Installing / changing of the pump hose).



Remove power from the pump by removing the main fuses before doing any cleaning / maintenance / assembly operations !

7.2 Maintenance

Filling of lubricant bath	Rotor bearings	Inspection glass
<ul style="list-style-type: none"> • check on sufficient liquid level (max. 1 liter approx.) • see also page 22 (chapter 6.5, picture 13) • <u>interval:</u> every 300 hours of operation 	<ul style="list-style-type: none"> • check on proper seat of bearings • check on inadmissible development of heat • check on inadmissible noise development of bearings • <u>interval:</u> every time when changing the pump hose respectively every 500 hours of operation 	<ul style="list-style-type: none"> • check on intactness • <u>interval:</u> every 500 hours of operation



In case of wear characteristics mentioned above rotor bearings must be replaced!

7.3 Cleaning

After pumping media which tend to deposit, the pump hose must be rinsed out when pumping is finished.

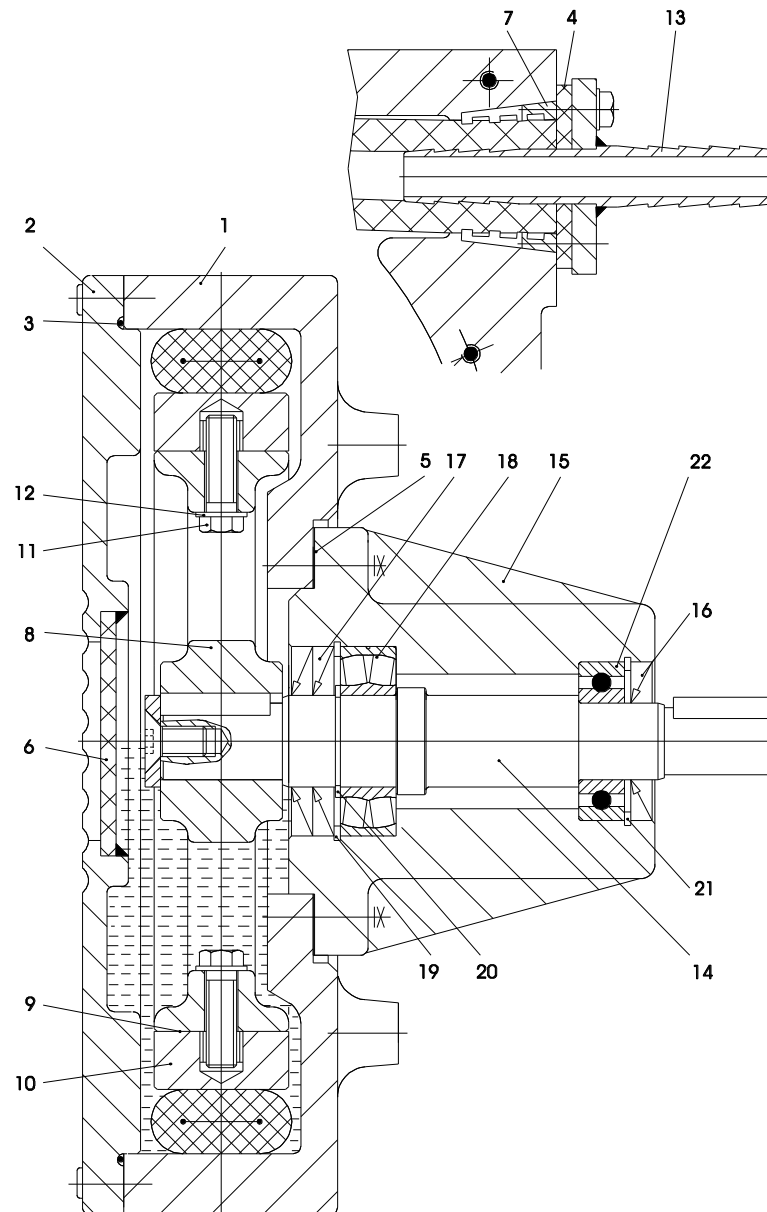
When changing the pump hose the inside of the pump casing should be cleaned properly.

7.4 List of spare parts

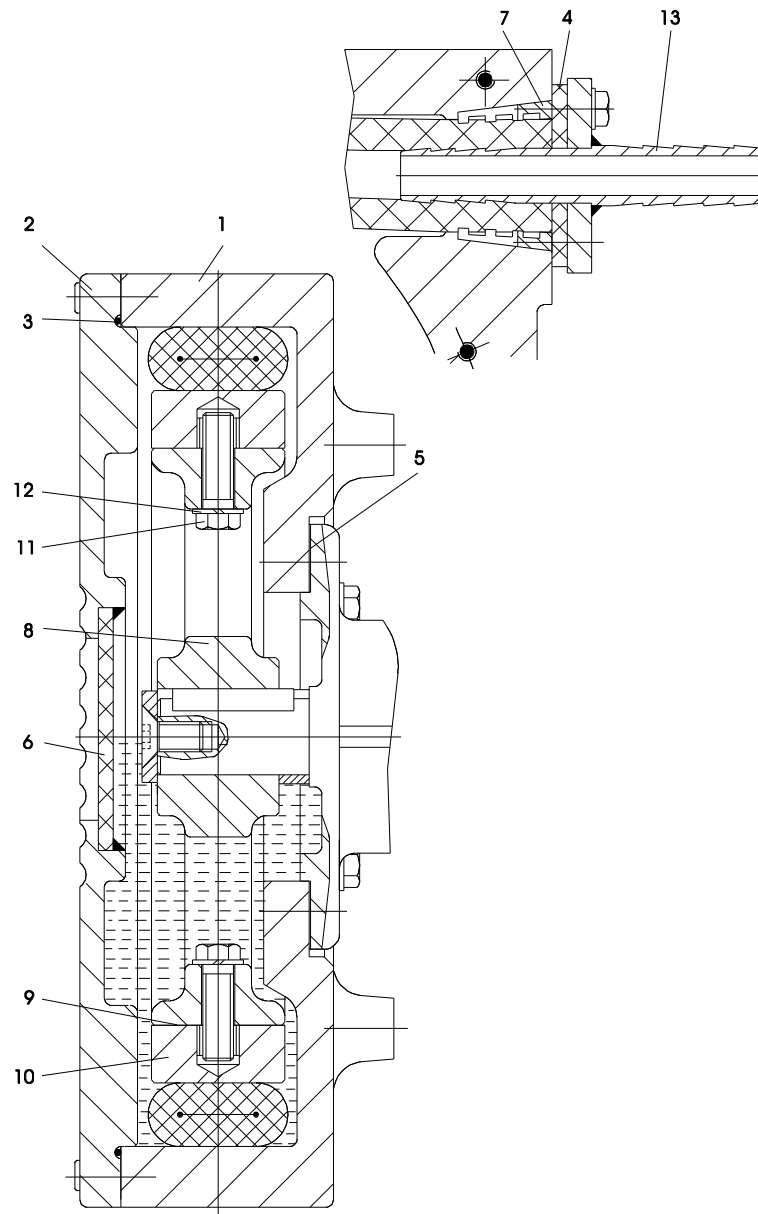
Ref no.	Qty./pump	Description	Part no.
1	1	Casing	18-015-002
2	1	Casing cover	18-015-004
3	1	O-Ring	18-015-017
4	2	Rubber-sealing	18-015-014
5	1	Paper-sealing	18-015-015
6	1	Inspection glass	18-015-021
7	2	Clamping ring	18-015-029
8	1	Rotor	18-015-008
9	10	Shim	18-015-025
10	2	Shoe	18-015-010
11	2	Screw	90-0933018
12	2	Spring ring	90-0127003
13	2	Hose clip	18-015-012
14	1	Rotor shaft	18-015-030
15	1	Bearing casing	18-015-006
16	1	Rotary shaft seal	18-015-031
17	2	Rotary shaft seal	18-015-033
18	1	Floating bearing	18-015-034
19	1	Circlip	90-0472001
20	1	Circlip	90-0471003
21	1	Circlip	90-0472002
22	1	Grooved ball bearing	18-015-032

7.5 Drawings of spare parts

7.5.1 Pump with coupled drive

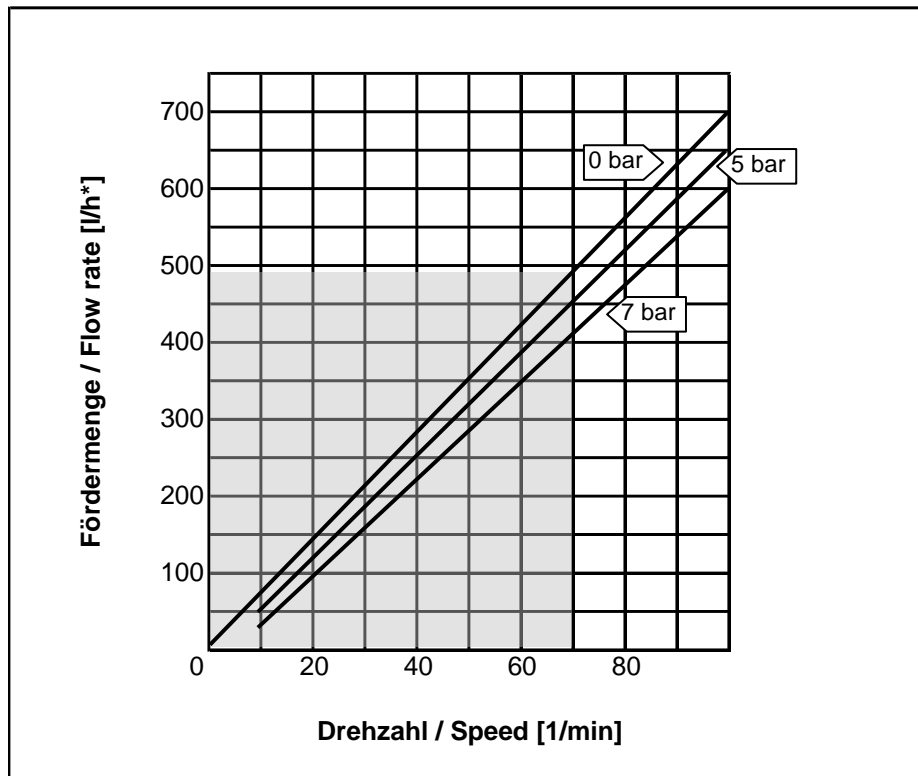


7.5.2 Pump with directly flanged drive (without coupling)



8. Characteristic curve

P_highpressure 15 / PHP15-S



Important:

The characteristic curve is based on pumping water.
So the actual flow rate of the pump can be different in case of pumping media with a higher viscosity.

9. Accompanying documents

Accompanying documents are enclosed (corresponding to the extent of delivery).

EU – DECLARATION of CONFORMITY

Herewith we declare that the products

Designation: **PONNDORF hose pump units of the type**

**P_classic (PC-S); P_classic twin (PC-T)
P_classicplus (PCP-S); P_classicplus twin (PCP-T)
P_food&pharma (PFP-S); P_food&pharma twin (PFP-T)
P_eco
P_eco/food&pharma
P_high pressure (PHP-S); P_high pressure twin (PHP-T)
P_delta (PD-S)
P_change (PCH-S)**

comply in the constructions delivered with the following EC / EU directives

- | | |
|------------|---|
| 2006/42/EC | Directive of the European Parliament and of the Council on machinery and amending Directive 95/16/EC |
| 2014/35/EU | Directive of the European Parliament and of the Council on the harmonisation of the laws of the Member States relating to the making available on the market of electrical equipment designed for use within certain voltage limits |
| 2014/30/EU | Directive of the European Parliament and of the Council on the harmonisation of the laws of the Member States relating to electromagnetic compatibility |

Applied, harmonized standards, in particular: - EN 809 A1/AC

Authorized representative for the completion of the technical documentation :

Till Völker
Ponndorf Gerätetechnik GmbH
Leipziger Straße 374, D – 34123 Kassel

Kassel, March 12, 2021
(Place and date of issue)


.....
Till Völker
General Manager

This declaration is no warrant of properties for the purpose of the product liability. The safety instructions of the operating manual provided must be observed!
If the above mentioned series are technically modified without our approval, this declaration shall no longer be applicable.

EC – DECLARATION of CONFORMITY

Herewith we declare that the products

Designation: **PONNDORF hose humps of the types**

**P_classic (PC-S); P_classic twin (PC-T)
P_classicplus (PCP-S); P_classicplus twin (PCP-T)
P_food&pharma (PFP-S); P_food&pharma twin (PFP-T)
P_eco
P_eco/food&pharma
P_high pressure (PHP-S); P_high pressure twin (PHP-T)
P_delta (PD-S)
P_change (PCH-S)**

complies with the following EC directives

2006/42/EC Directive of European Parliament and of the Council on machinery and amending Directive 95/16/EC

Applied harmonized standards, in particular: - EN 809 A1/AC

Authorized representative for the completion of the technical documentation :

Till Völker
Ponndorf Gerätetechnik GmbH
Leipziger Straße 374, D – 34123 Kassel

Kassel, March 12, 2021
(Place and date of issue)


.....
Till Völker
General Manager

This declaration is no warrant of properties for the purpose of the product liability. The safety instructions of the operating manual provided must be observed!
If the above mentioned series are technically modified without our approval, this declaration shall no longer be applicable.